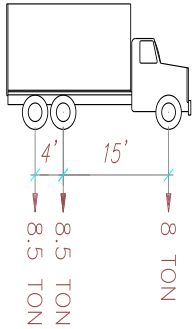
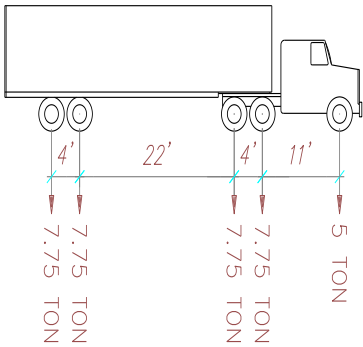


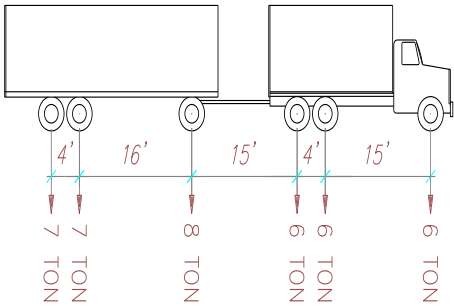
Rating Tons



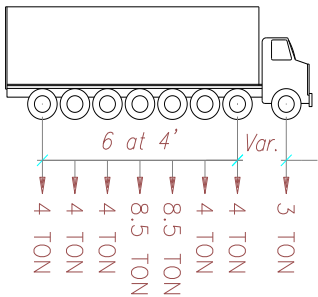
**TYPE 3
25 TON**



**TYPE 3S2
36 TON**

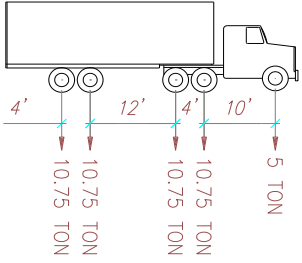


**TYPE 3-3
40 TON**

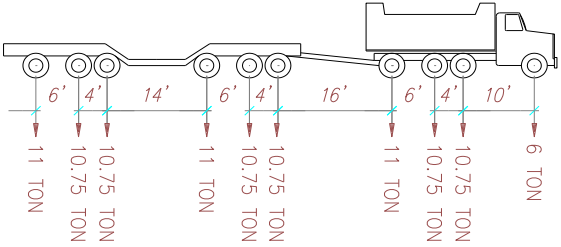


**NRL
40 TON**

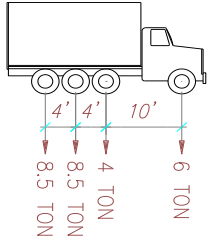
Rating Tons



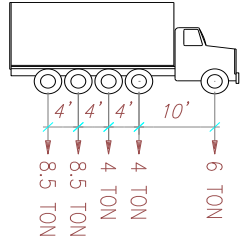
OL 1
48 TON



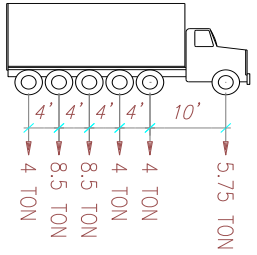
OL 2
103.5 TON



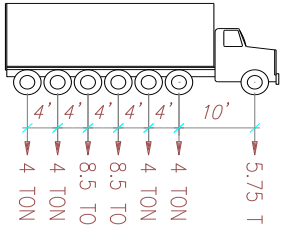
SU4
27 TON



SU5
31 TON



SU6
34.75 TON



SU7
38.75 TON

Rating Tons

