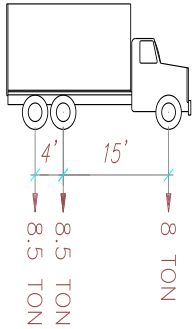
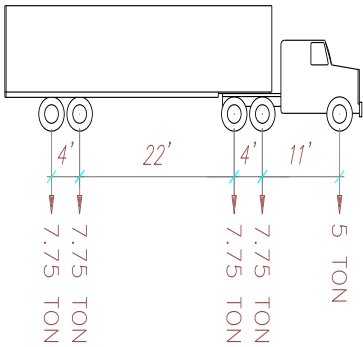


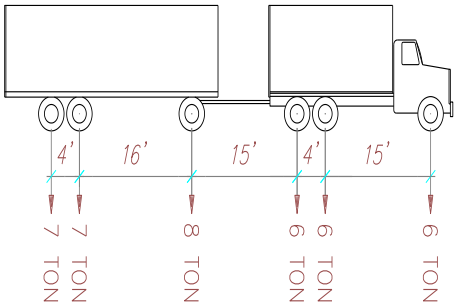
# Rating Tons



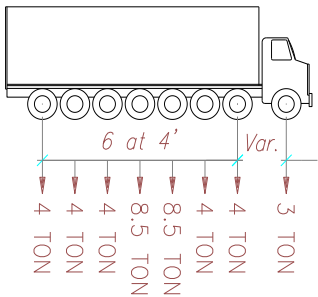
**TYPE 3  
25 TON**



**TYPE 3S2  
36 TON**

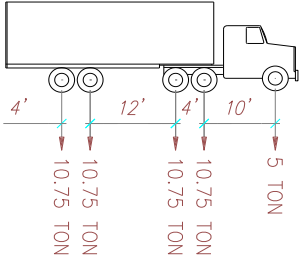


**TYPE 3-3  
40 TON**

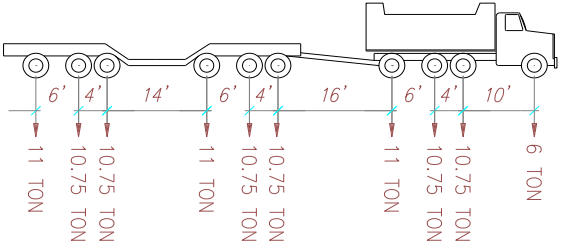


**NRL  
40 TON**

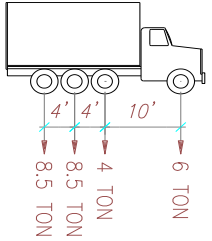
# Rating Tons



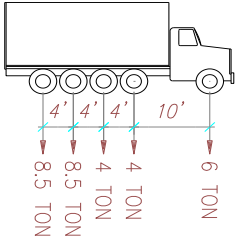
**OL 1**  
48 TON



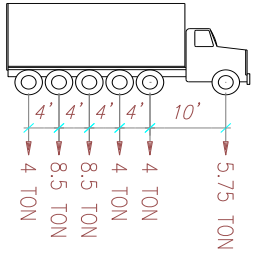
**OL 2**  
103.5 TON



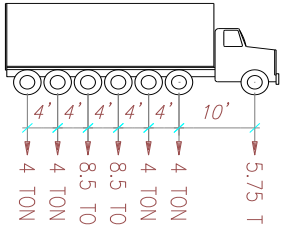
**SU4**  
27 TON



**SU5**  
31 TON



**SU6**  
34.75 TON



**SU7**  
38.75 TON

# Rating Tons

---

