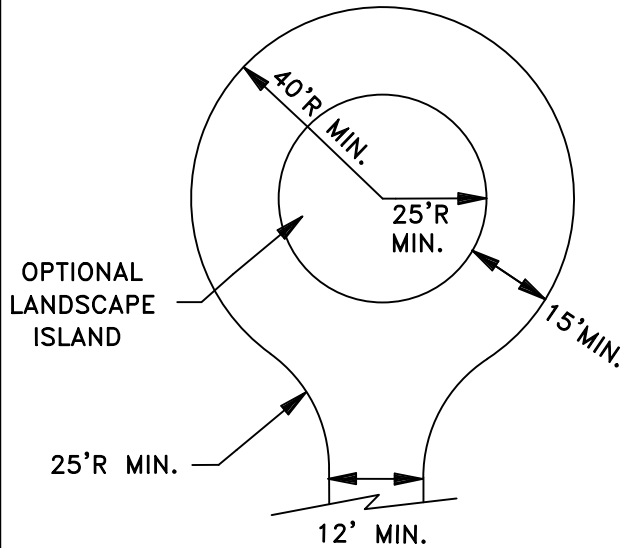
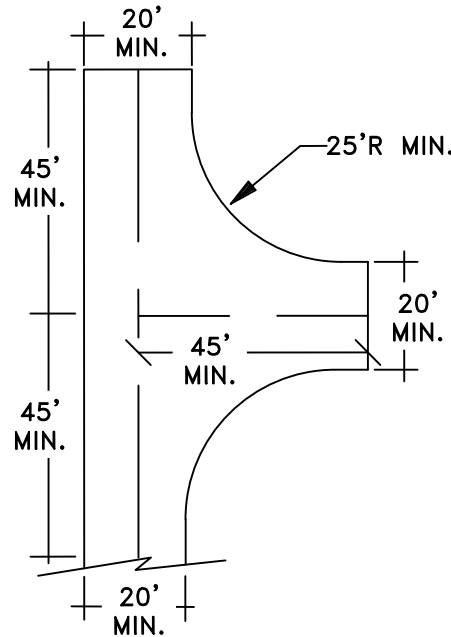
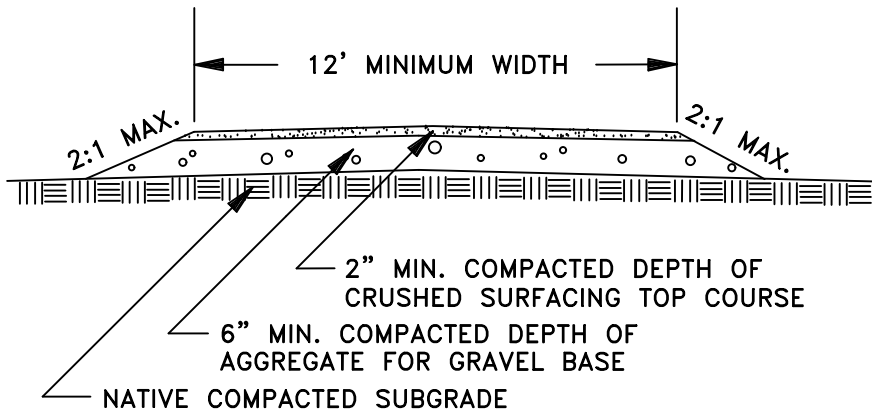


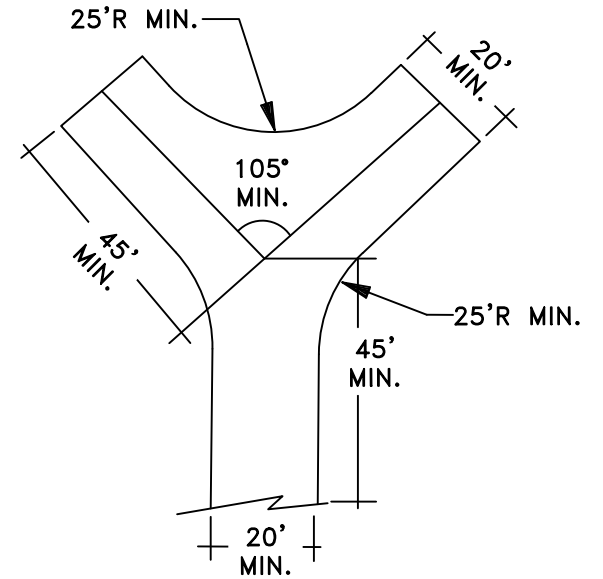
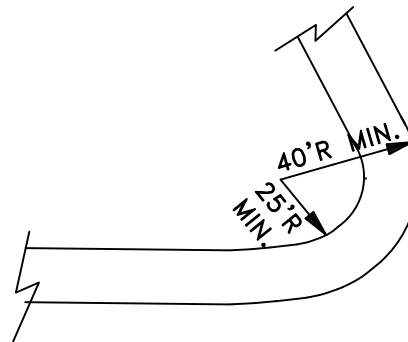
# RESIDENTIAL DRIVEWAY TURNAROUND OPTIONS



DRIVEWAY SECTION



MINIMUM DRIVEWAY CURVE RADIUS



- DRIVEWAY GRADES  $\geq 12\%$  SHALL BE PAVED WITH 2 ½ INCHES MIN DEPTH COMPACTED HMA,  $\geq 15\%$  SHALL BE GROOVED PORTLAND CEMENT CONCRETE, GRADES SHALL NOT EXCEED 18%
- RESIDENTIAL TURNAROUND MUST BE A MINIMUM OF 50' FROM STRUCTURE, BUT NOT MORE THAN 150' FROM STRUCTURE.
- FOR DRIVEWAYS LONGER THAN 600 FEET SEE DRAWING 505.E-5 FOR REQUIRED TURNOUTS

DRAWING 505.E-6

RESIDENTIAL DRIVEWAY DETAILS

WHATCOM COUNTY DEPARTMENT OF PUBLIC WORKS