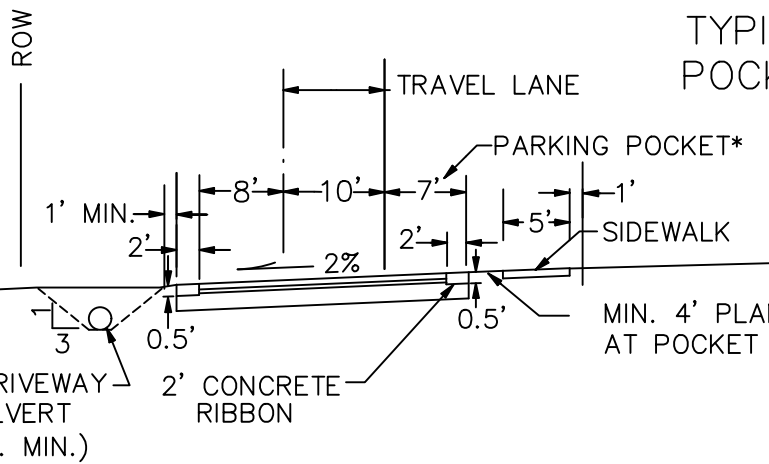


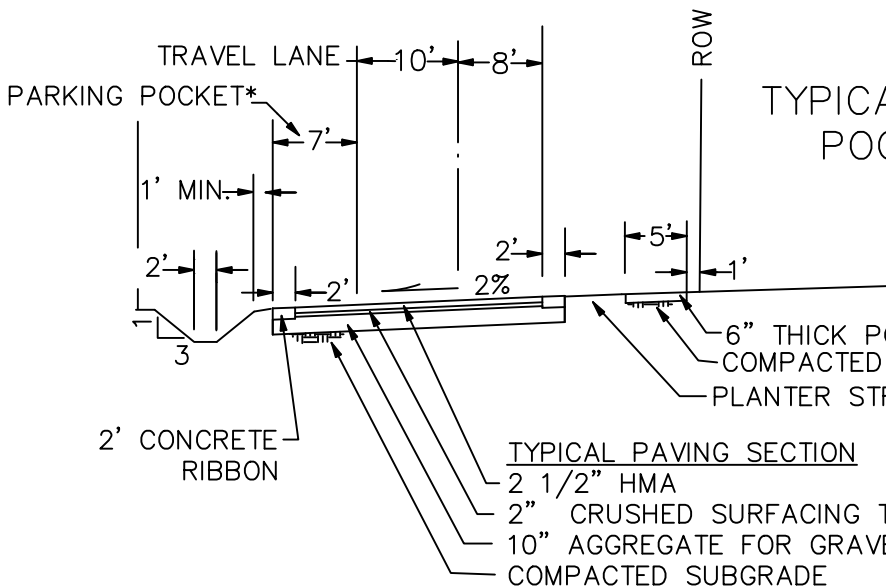
TYPICAL STREET SECTION
NO PARKING



TYPICAL STREET SECTION
POCKET OPPOSITE SWALE

TYP. DRIVEWAY
CULVERT
(12" DIA. MIN.)

MIN. 4' PLANTER STRIP
AT POCKET AREAS**



TYPICAL STREET SECTION
POCKET SAME SIDE
AS SWALE

2' CONCRETE
RIBBON

TYPICAL PAVING SECTION

- 2 1/2" HMA
- 2" CRUSHED SURFACING TOP COURSE
- 10" AGGREGATE FOR GRAVEL BASE
- COMPACTED SUBGRADE

6" THICK PCC SIDEWALK (TYPICAL)
COMPACTED SUBGRADE
PLANTER STRIP

* No driveway access is allowed in
pocket parking areas.

** No trees allowed within planting
strips adjacent to ribbon curb.

DRAWING 505.U-2
SPECIAL DISTRICT ALTERNATIVE STREET SECTION LESS THAN 100 ADT
WHATCOM COUNTY DEPARTMENT OF PUBLIC WORKS