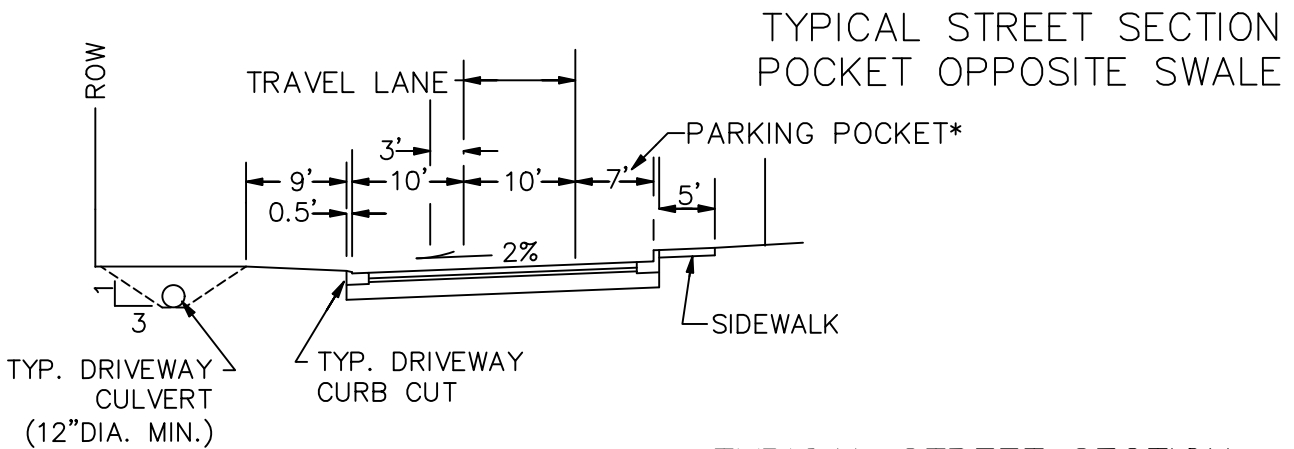
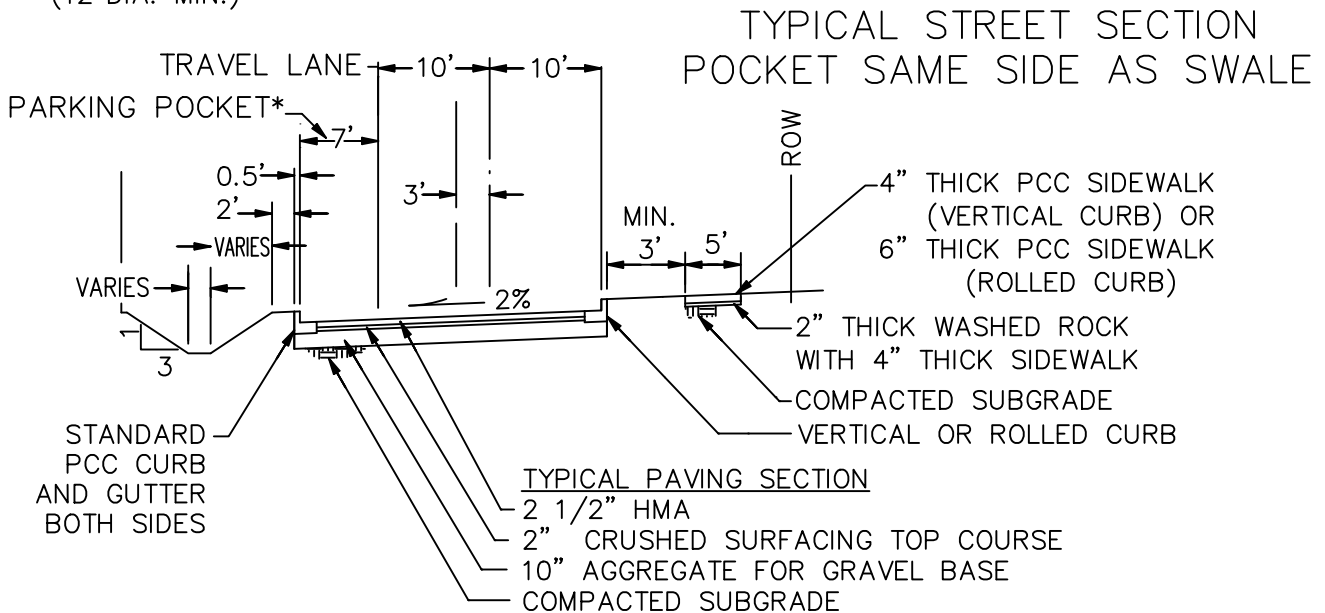


TYPICAL STREET SECTION  
NO PARKING



TYPICAL STREET SECTION  
POCKET OPPOSITE SWALE



TYPICAL STREET SECTION  
POCKET SAME SIDE AS SWALE

NOTES:

1. Storm drain and swale to be sized for treatment and conveyance by engineered design.
2. Rolled curb may be used in lieu of vertical curb except in the pocket parking areas.

\* No driveway access is allowed in pocket parking areas.

DRAWING 505.U-4
SPECIAL DISTRICT TYPICAL STREET SECTION
100 - 500 ADT
WHATCOM COUNTY DEPARTMENT OF PUBLIC WORKS