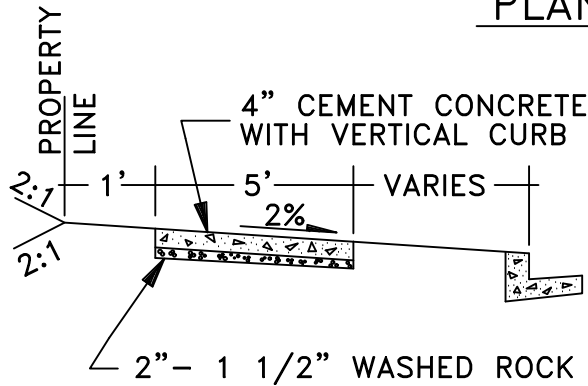
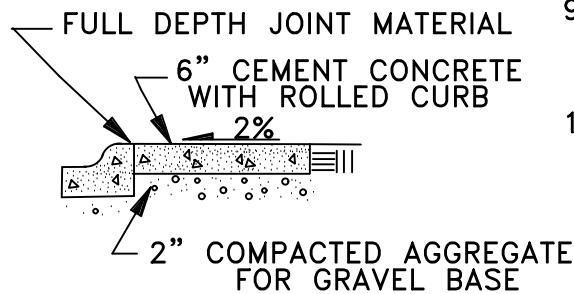


PLAN VIEW



SECTION A-A



SECTION B-B

NOTES:

1. All sidewalks shall have a 2% slope.
2. Concrete shall be Class 3000 per State Standard Specifications 6-02.
3. 3/4 deep 'V' grooves to be placed at a maximum of 5 foot intervals.
4. 3/8"x 2" minimum dummy joints to be placed at 10 foot intervals and shall match with curb at min. 20 foot intervals and at max. 80 foot intervals.
5. Full depth joint material to be placed at curb returns, curb ramps, driveway sections, cold joints, changes in section, between sidewalks and back of curb, around utility boxes, and maximum of 80 foot intervals.
6. Sidewalk to be light brushed finished.
7. Sidewalks in cut sections shall be drained as shown on Drawing 508.A-2.
8. Curb ramps shall be constructed as shown on 508.G-1 and at locations shown on 508.G-2.
9. Curing compound shall be applied to all finished concrete surfaces per State Standard Specifications.
10. Subgrade compaction shall meet the requirements outlined in Section 511.E, Concrete Testing.

DRAWING 508.A-1

SIDEWALK DETAIL

WHATCOM COUNTY DEPARTMENT OF PUBLIC WORKS