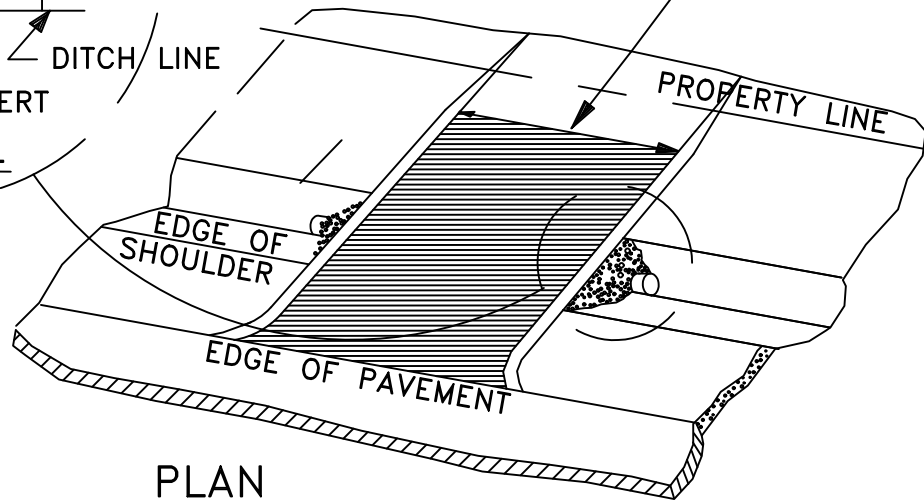
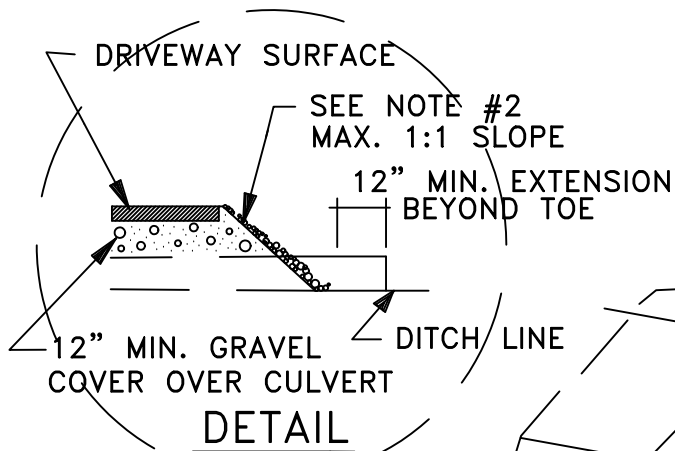


CROSS SECTION

RESIDENTIAL:
 12' MIN., 25' R
 20' DESIRABLE, 30' R
 ALL REQUIRE PAVED APRON,
 SEE DRAWING 508.D-4,
 505.E-3, OR 505.E-4.

NOTES:

1. Culvert pipe shall be 12" minimum diameter; larger if drainage requires, as directed by the County Engineer.
2. Six inch minus rock in sufficient quantity for stability shall be placed around each end of the culvert(s).
3. Match existing ditch grade with minimum slope on culvert, 1% down slope.



PLAN

Not to Scale

DRAWING 508.D-1
DRIVEWAY APPROACH CULVERT INSTALLATION DETAIL
WHATCOM COUNTY DEPARTMENT OF PUBLIC WORKS