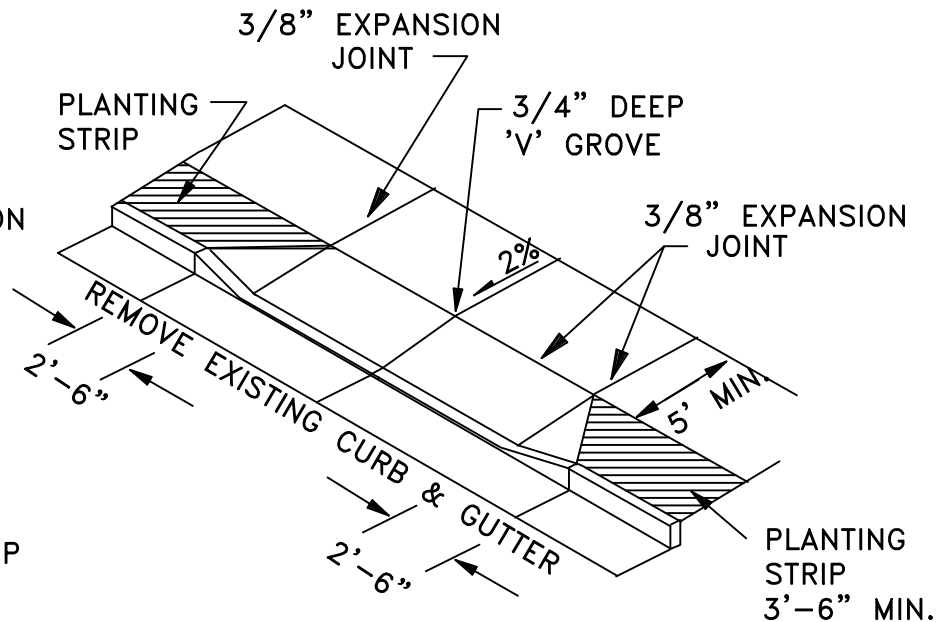
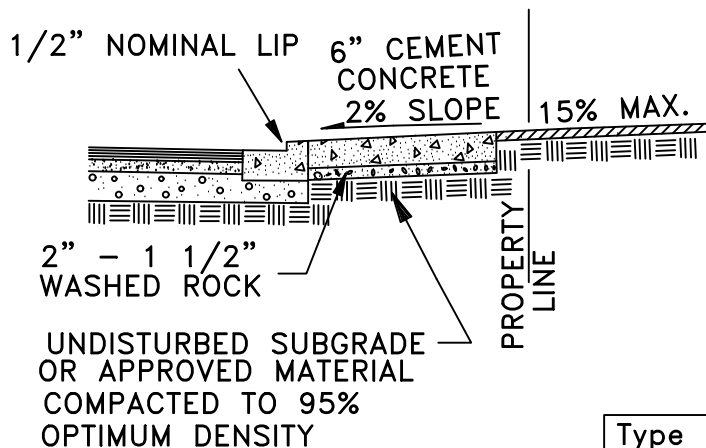


NO PLANTING STRIP



WITH PLANTING STRIP



SECTION A-A

NOTES:

1. For driveway accesses 12-17 feet, place 3/4 inch deep 'V' groove at the mid point. For driveways 18 feet or more, place 3/4 inch deep 'V' groove at 1/3 points.
2. Driveway sections to be minimum 6 inch thick cement concrete, and shall meet State Standard Specifications, Section 6-02.
3. All joints shall be cleaned and edged.
4. Driveway access shall have a brushed finish.

Type	Driveway Width
Residential	12' min. 20' preferred

DRAWING 508.D-2
CURB & GUTTER DRIVEWAY APPROACH DETAIL
WHATCOM COUNTY DEPARTMENT OF PUBLIC WORKS