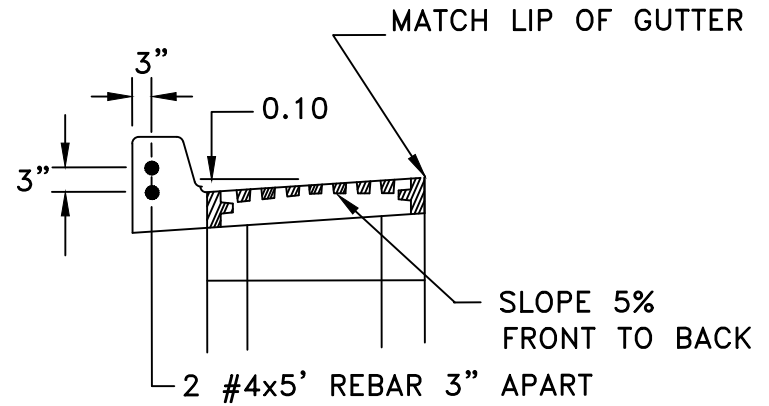


SECTION A-A



SECTION B-B

NOTES:

1. Use #4 rebar throughout.
2. Vaned grates shall be as specified pursuant to Chapter 2 Stormwater Standards.
3. Grates shall be as shown in WSDOT Standard Plans, Metal Frame & Grate for Catch Basins and Inlets.

DRAWING 508.F-2
STANDARD CATCH BASIN FRAME AND GRATE DETAIL
WHATCOM COUNTY DEPARTMENT OF PUBLIC WORKS